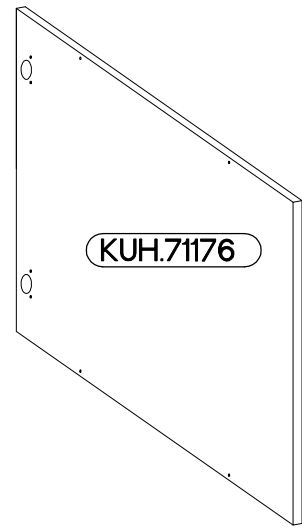
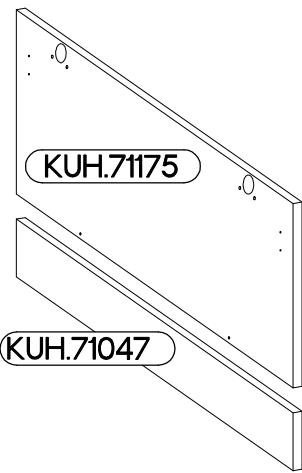
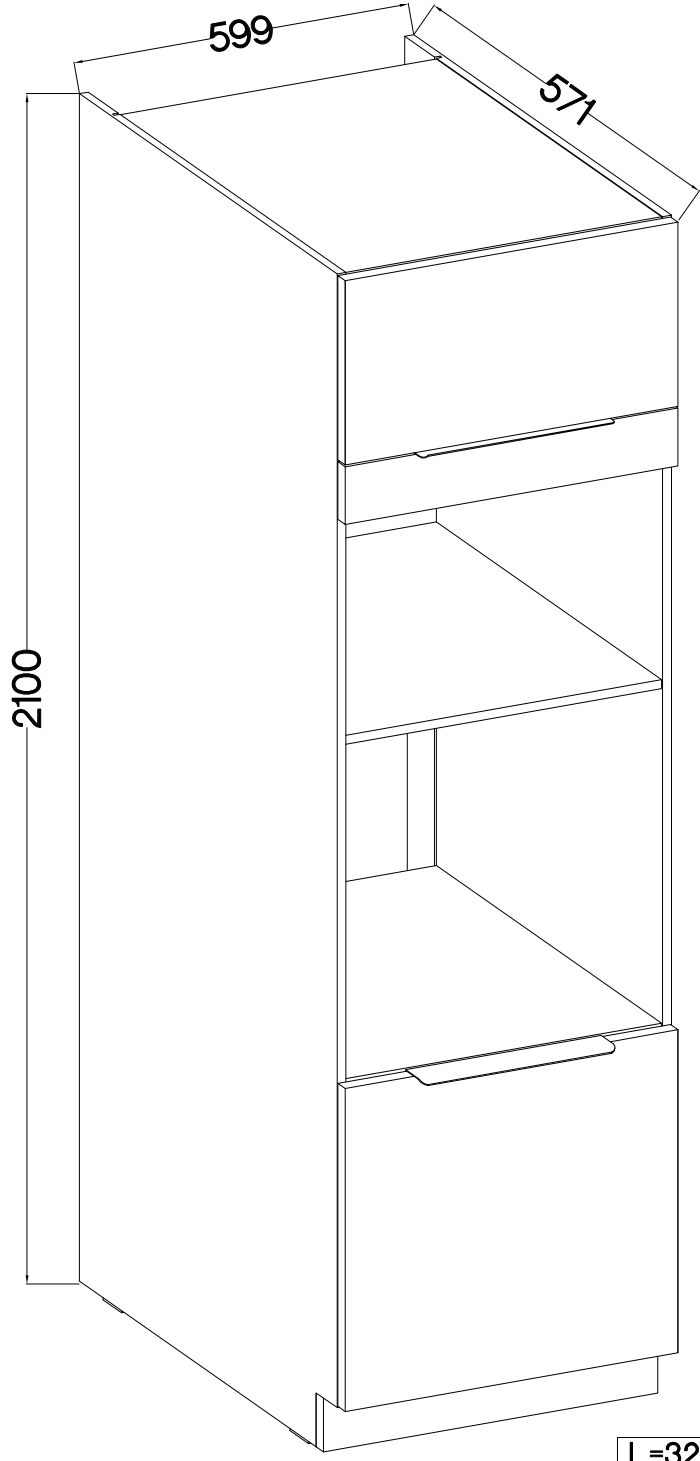
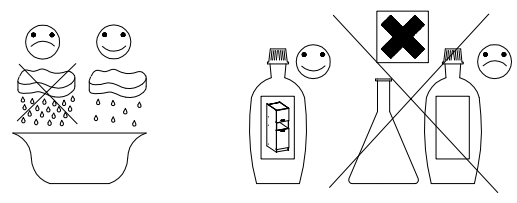

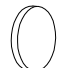



60 DPM-2100 2F  
FRONT



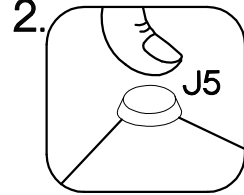
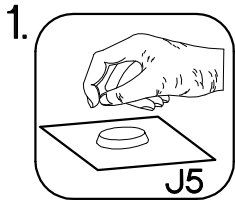
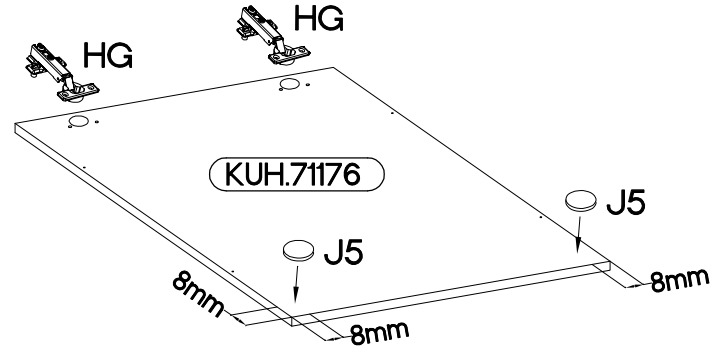
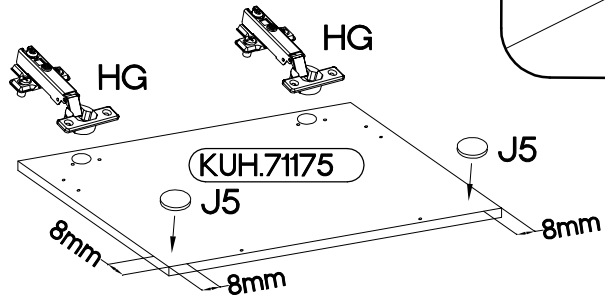
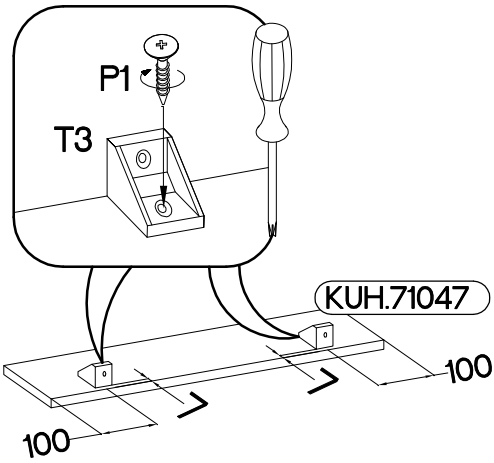
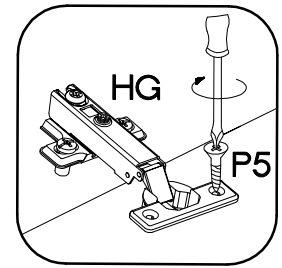
L=320mm	φ7/2mm
	
 S	J5
2	4

Ersatzteil Nummer	Dimension
KUH.71175	325x596x16
KUH.71047	102x596x16
KUH.71176	570x596x16

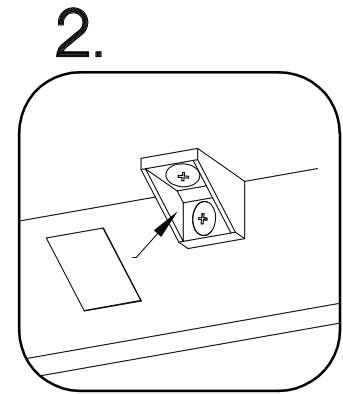
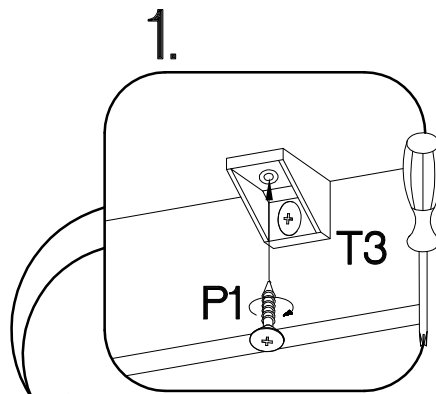
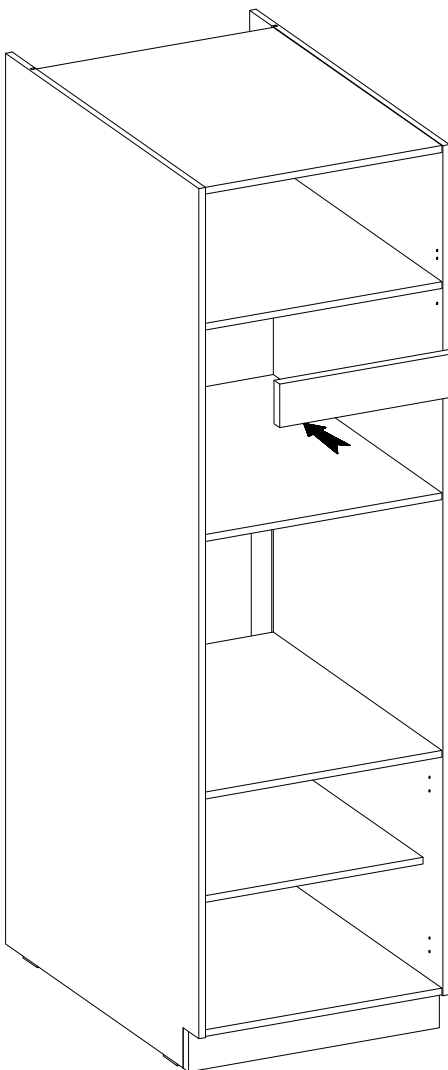
ISM-KUH-02027

1

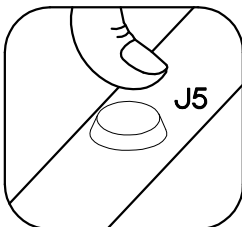
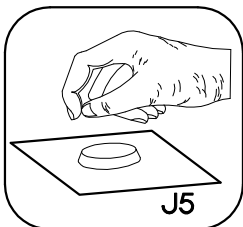
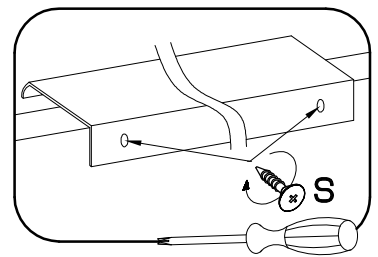
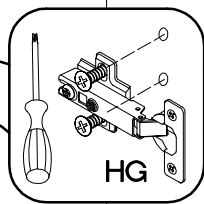
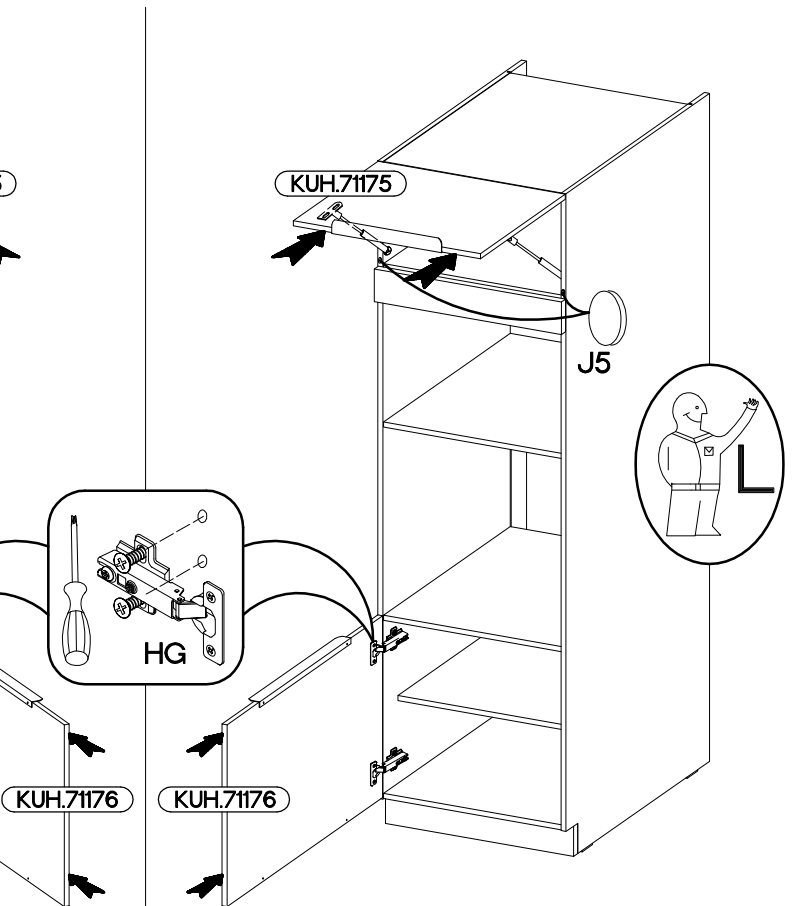
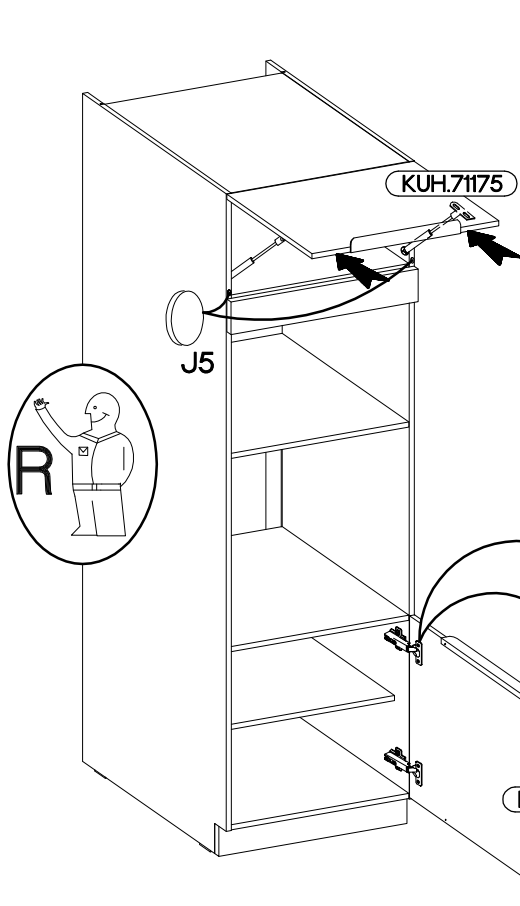
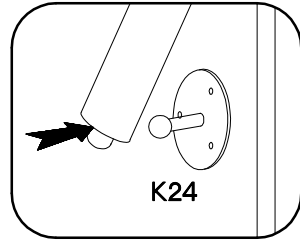
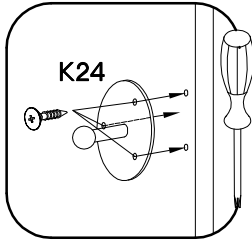
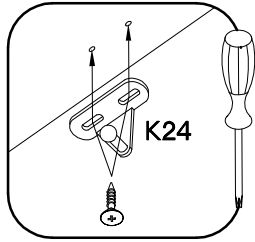
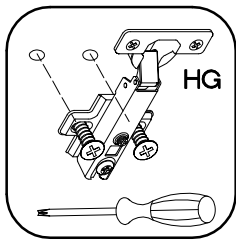
$\pm 35/0\text{mm}$ [CD] HG 4	$\pm 3.5 \times 13\text{mm}$ P5 8	T3 2	$\pm 4.0 \times 16\text{mm}$ P1 2	$\pm 7/2\text{mm}$ J5 4
-------------------------------------	---	---------	---	-------------------------------



2



2 K24	2 J5	2 S



VARIANT HIGH GLOSS

